

# ETKD-M / ETWD-M

## Single-jet dry dial meter for cold and hot water

The ETKD-M / ETWD-M is a single-jet meter with a modular 8-digit register with protected magnetic coupling. The individual advantage of the ETKD-M / ETWD-M is an exceptionally compact design. With its very low height, the meter easily adapts to any installation situation. The ETKD-M / ETWD-M guarantees reliable recording of meter data for individual consumption billing.

The modulator disc enables electronic, non-reactive scanning and is the basis for remote reading of meter data via radio with LoRaWAN® or wM-Bus. A combined M-Bus/pulse module is also possible.

All materials, which are used in the drinking water section, comply with the required standards, guidelines and the current German drinking water approval (other country-specific drinking water approvals on request).



### Performance characteristics at a glance

- Single jet dry-dial meter with protected magnetic coupling
- For horizontal and vertical installation (also for ascending and descending pipes)
- With 8-digit register and modulator disc ( $\geq 1$  l/pulse) for electronic, non-reactive scanning, as a basis for remote readout radio (wM-Bus, LPWAN), M-Bus or pulse
- Equipped with glass/copper register (IP68) as standard
- Fitted with protective cap as standard
- Brass meter housing according to UBA (Federal Environment Office) list
- Register rotatable 355 °
- Operating pressure MAP 16
- Approved according to MID

### Applications

- For the consumption measurement of cold and unpolluted drinking water or service water up to 50 °C (ETKD)
- For the consumption measurement of hot and unpolluted drinking water or service water up to 90 °C (ETWD)

### AMR options

- Retrofittable with EDC module (Electronic Data Capture):
  - EDC LPWAN radio module (868 MHz) for LoRaWAN®
  - EDC wireless M-Bus radio module (868 MHz)
  - EDC combined M-Bus and pulse module

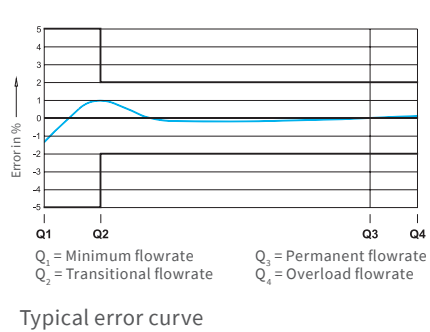
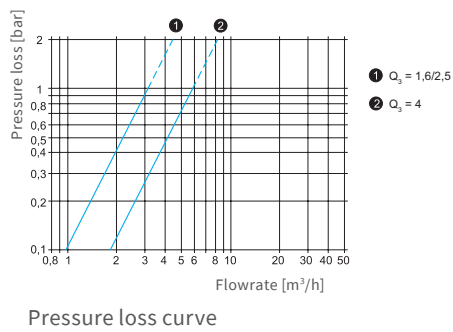
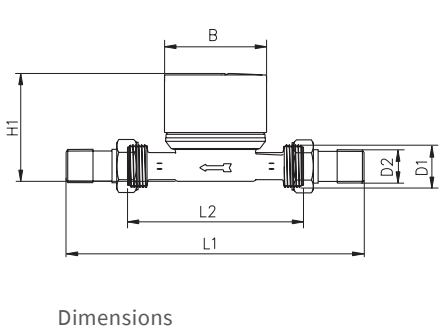
# ETKD-M / ETWD-M

Technical data							
Permanent flowrate	$Q_3$	$m^3/h$	1.6	2.5	2.5	2.5	4
Comparable to permanent flowrate (EEC)	$Q_n$	$m^3/h$	1.0	1.5	1.5	1.5	2.5
Attainable measuring range	$Q_3/Q_1$	R	80H/40V	80H/40V	80H/40V	80H/40V	80H/40V
Standard measuring range <sup>1</sup>	$Q_3/Q_1$	R	80H/40V	80H/40V	80H/40V	80H/40V	80H/40V
Comparable to metrological class (EEC)	Class	-	B-H/A-V	B-H/A-V	B-H/A-V	B-H/A-V	B-H/A-V
Overload flowrate <sup>2</sup>	$Q_4$	$m^3/h$	2.00	3.125	3.125	3.125	5
Transitional flowrate <sup>2</sup>	$Q_2$	l/h	32H/64V	50H/100V	50H/100V	50H/100V	80H/160V
Min. flowrate <sup>2</sup>	$Q_1$	l/h	20H/40V	31H/63V	31H/63V	31H/63V	50H/100V
Start-up flow rate	-	l/h	<10	<10	<10	<10	<14
Display range	min.	l	0.02	0.02	0.02	0.02	0.02
	max.	$m^3$	99,999.999	99,999.999	99,999.999	99,999.999	99,999.999
Temperature range	Cold water	$^{\circ}C$	0.1-50	0.1-50	0.1-50	0.1-50	0.1-50
	Hot water	$^{\circ}C$	0.1-90	0.1-90	0.1-90	0.1-90	0.1-90
Operating pressure	MAP	bar	16	16	16	16	16
Pulse value	-	l/pulse	1	1	1	1	1
Pressure loss class at $Q_3$	$\Delta p$	bar	0.63	0.63	0.63	0.63	0.63
Mechanical environmental condition	-	-	M1	M1	M1	M1	M1
Climatic condition <sup>3</sup>	-	$^{\circ}C$	5 - 70	5 - 70	5 - 70	5 - 70	5 - 70
Flow profile sensitivity	-	-	U0/D0	U0/D0	U0/D0	U0/D0	U0/D0

## Dimensions and weights:

Nominal diameter	DN	mm	15	15	15	20	20
		inch	1/2" (7/8") <sup>4</sup>	1/2"	1/2" (7/8") <sup>4</sup>	3/4"	3/4"
Overall length	L2	mm	110/115/130	80	110/115/130	130	130
Overall length with connectors approx.	L1	mm	190/195/200	160	190/195/200	226	226
Thread meter G x B	D1	inch	3/4"	3/4"	3/4"	1"	1"
Thread connector	D2	inch	1/2"	1/2"	1/2"	3/4"	3/4"
Width approx.	B	mm	66	66	66	66	66
Height approx.	H1	mm	77	77	77	80	80
Weight approx.	-	kg	0.43/0.44/0.46	0.42	0.43/0.44/0.46	0.57	0.57

<sup>1</sup> Other measuring ranges (R) on request  
<sup>2</sup> The data refers to the standard measuring range  
<sup>3</sup> Condensation possible  
<sup>4</sup> Thread 7/8" on request  
 Attention: not all versions are available in all markets



**ZENNER International GmbH & Co. KG**  
 Heinrich-Barth-Straße 29 | 66115 Saarbrücken | Germany

Phone +49 681 99 676-30 E-mail info@zenner.com  
 Fax +49 681 99 676-3100 Internet www.zenner.com